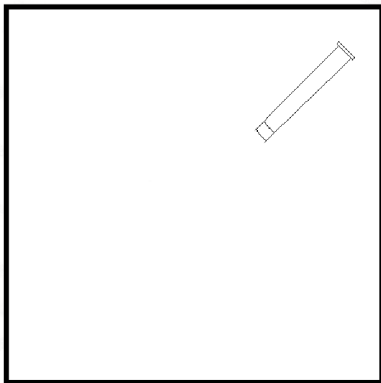


How to draw a Bassoon

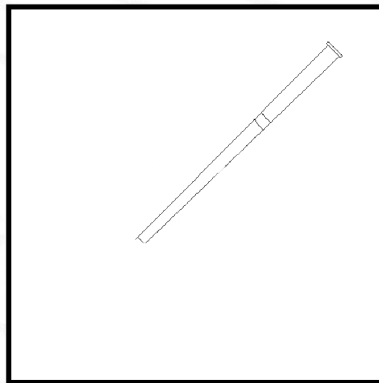
1

Start with the Bell Joint



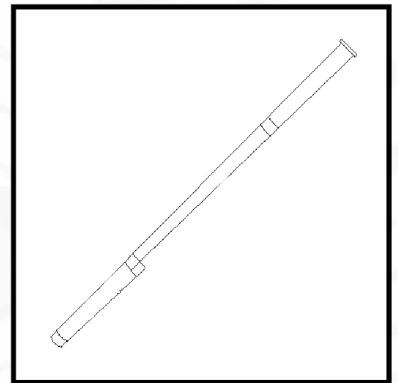
2

Add the Bass Joint



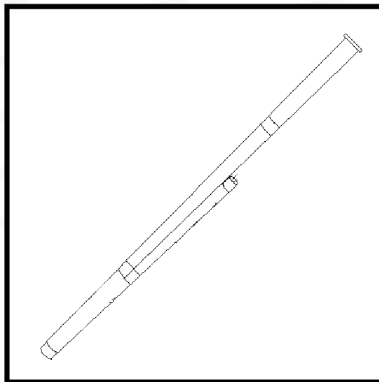
3

Then the Boot Joint



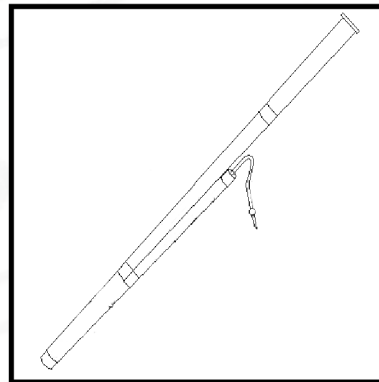
4

Add the Wing Joint



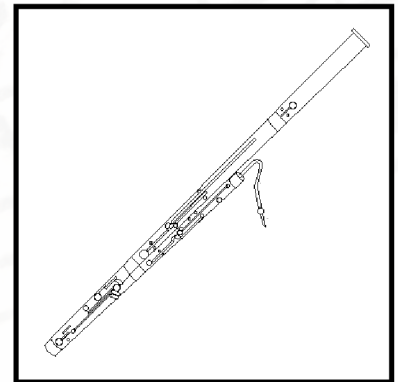
5

Last, add the Bocal & Reed



6

Optional: Add some keys!





ADVANCING CLASSICAL MUSIC IN THE SOUTHLAND

